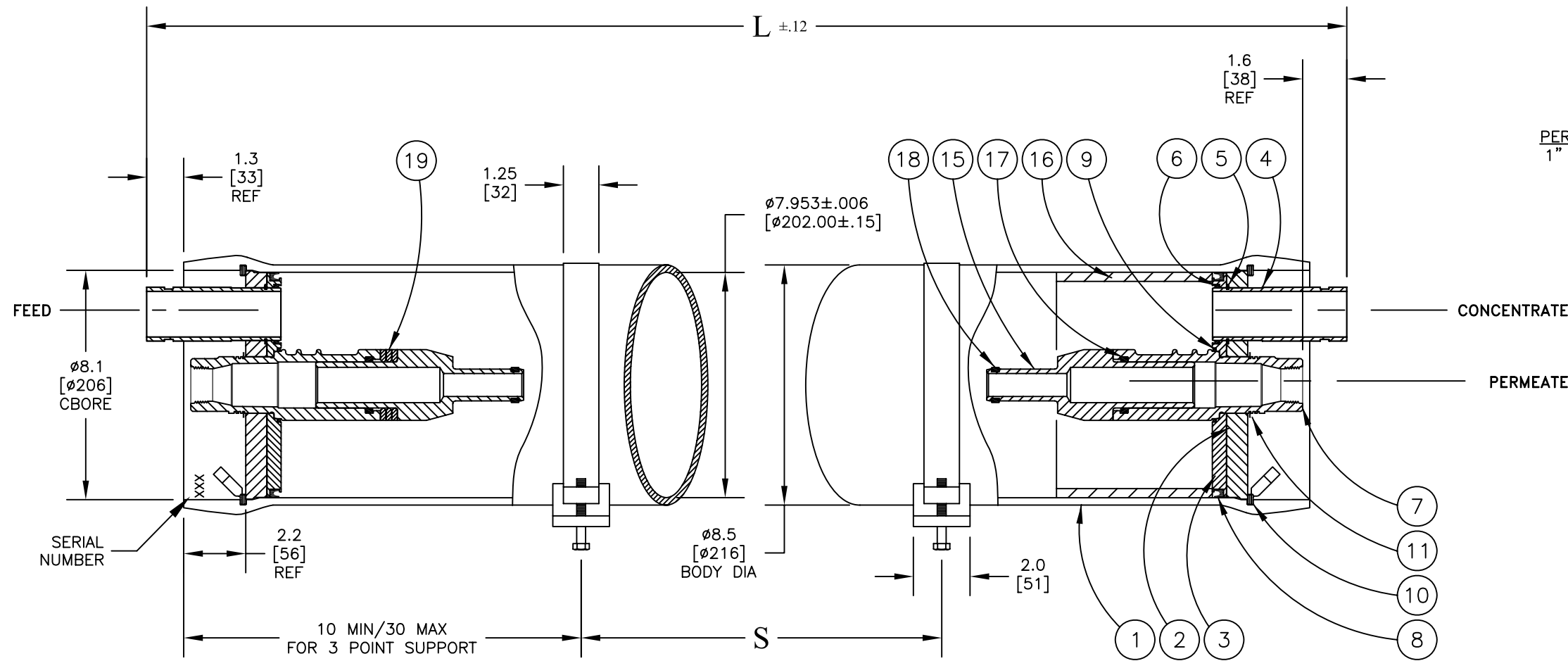
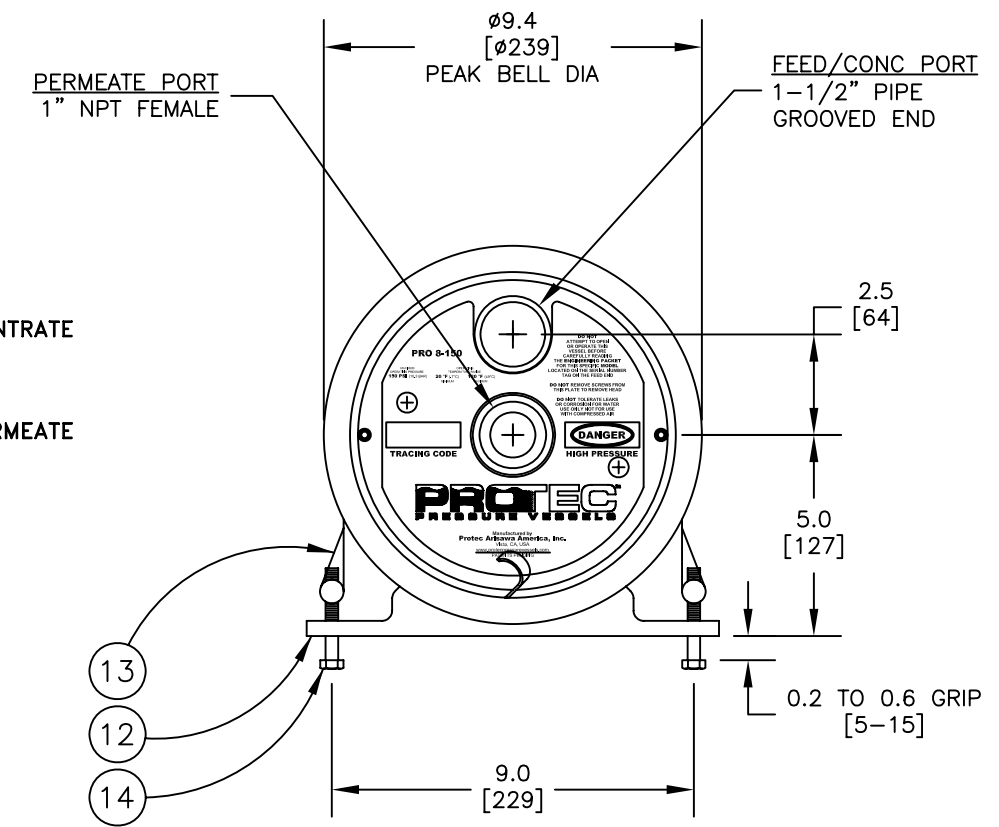


Distributed by Applied Membranes, Inc. | www.appliedmembranes.com | (760) 727-3711 | USA



Design Pressure = 150 PSI @ 120 °F  
Min. Design Temperature = 20 °F @ 150 PSI  
Hydrotest Pressure = 165 PSI

**150 PSI**  
END PORT



NOTE: STANDARD PARTS ARE SHOWN FOR REFERENCE ONLY  
CHECK ORIGINAL ORDER FOR ORDERING SPARE PARTS

ITEM	QTY	P/N	DESCRIPTION	MATERIAL
1	1	4080001	Shell	Filament Wound, Epoxy FRP
2	2	4080027	Bearing Plate	6061-T6 Aluminum, SB-221
3	2	4080065-1	Sealing Plate	PVC Thermoplastic
4	2	4080100-1	Feed/Concentrate Port	Stainless Steel, 316, SA-312
5	2	6121187	Retaining Ring, F/C Port	Stainless Steel, 316
6	2	6184604-N	O-Ring Seal, F/C Port	Ethylene Propylene
7	2	4080289	Permeate Port	Noryl GFN2
8	2	6100442MK	Head Seal	Ethylene Propylene
9	2	6110229-N	Permeate Port Seal	Ethylene Propylene
10	2	4080320	Retaining Ring w/ Finger Pull	Stainless Steel, 316
11	2	6121200	Retaining Ring, Permeate Port	Stainless Steel, 316
12	2*	4080173	Support Saddle	TPR
13	2	4080137	Strap Assembly	Stainless Steel, 316
14	4	6150001	Strap Screw	Stainless Steel, 316
15	2	A/R	Adapter	PVC Thermoplastic
16	1	4080043	Thrust Ring	PVC Thermoplastic
17	2	6110326-N	Adapter Seal	Ethylene Propylene
18	A/R	A/R	PWT Seal	Ethylene Propylene
19	3	4080062-4	Shim, Adapter	Noryl GFN2

\*3 each with shell length -7 and longer

**NOTES:**  
DIMENSIONS IN INCHES (MM APPROX.)  
FOR REFERENCE ONLY, NOT FOR CONSTRUCTION UNLESS CERTIFIED  
SHIMMING OF THE SADDLES MAY BE REQUIRED  
CENTER VESSEL ON 2 OR 3 SUPPORTS AT SPAN(S) "S".  
INCORRECT MANIFOLDING WILL CAUSE SEVERE LOCAL STRESS AROUND PORT AND MAY RESULT IN LEAKS AND PREMATURE FAILURE. TAKE EVERY PRECAUTION LISTED IN THE ENGINEERING PACKET OR USERS MANUAL.  
INTERNAL PERMEATE PRESSURE MUST NOT EXCEED 125 PSI.  
ASME SECTION X, 2010  
RP CODE STAMP OPTIONAL  
SPECIFICATIONS SUBJECT TO CHANGE WITHOUT NOTICE

APPROVED  
AP  
5/21/01  
CHECKED  
AP  
5/21/01  
DRAWN  
AP  
5/21/01

**PRO 8-150-EP**

ECO	REVISED	DRAWING	REV
10119	4/28/11	101007	M

Shell Length Code	L inch (mm)	S Span in (mm)	Empty Weight lb (kg)
-1	61 (1549.40)	34 (863.60)	42 (19)
-1.5	81 (2057.40)	45 (1143.00)	51 (23)
-2	101 (2565.40)	56 (1422.40)	56 (25)
-3	141 (3581.40)	80 (2032.00)	70 (32)
-4	181 (4597.40)	104 (2641.60)	84 (38)
-5	221 (5613.40)	128 (3251.20)	98 (45)
-6	261 (6629.40)	150 (3810.00)	112 (51)
-7	301 (7645.40)	3 PTS.	126 (57)
-7.5	321 (8153.40)	3 PTS.	133 (60)
-8	341 (8661.40)	3 PTS.	140 (64)